

## CN2's Network Unique Advantage:

99.9%

### Service availability

The service availability rate of the network is 99.9%. More specifically, there will be no more than an hour in a month during which our clients cannot pass traffic over CN2.



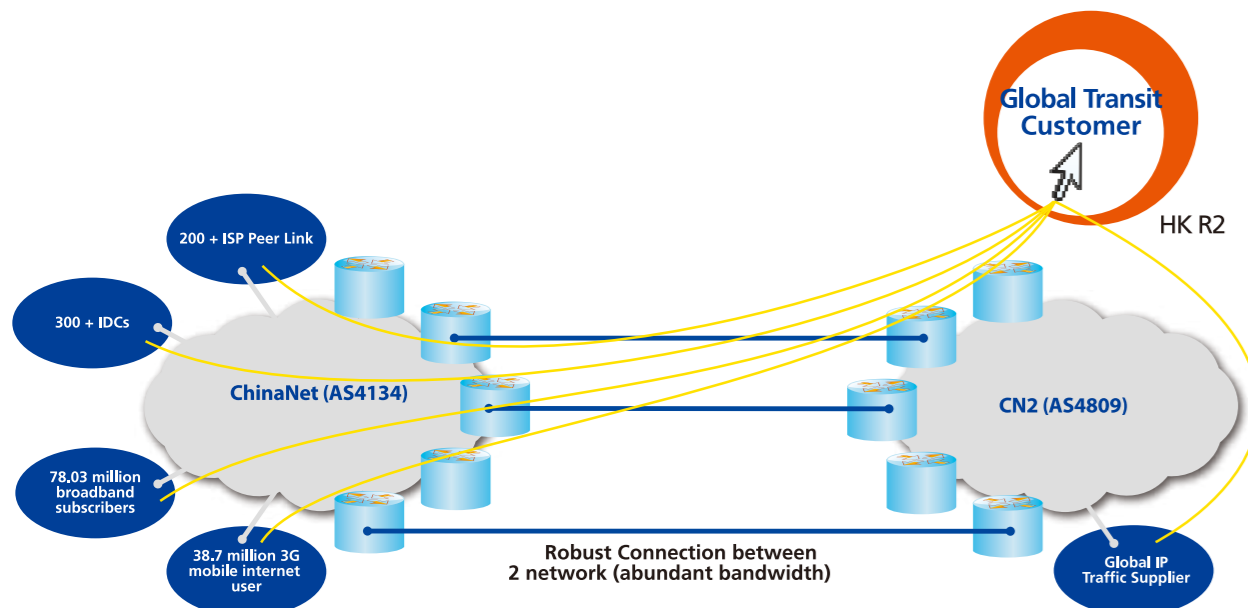
### Network latency

Internal network round-trip latency between two CT POPs

Route	Latency (ms)
Hong Kong – Mainland China	50
Singapore - Mainland China	80
Asia (Intra-Asia)	110
America (Intra-America)	100
Asia to Europe	260
Asia to Western America	240
Asia to Eastern America	280



## A Balanced Relationship between ChinaNet and CN2



## Our Advantage and Expertise

### Global Transit

With the increasingly complex and diverse characteristics of the Internet, China Telecom provides customized global transit solutions and emphasizes operation importance. With over 20 years of IP network operating experience and over ten thousand skilled engineers, China Telecom possesses strong service capabilities.

- Refined Route Choice: Support customer controlled community tagging, with automatic changes in routing as per customer specified preferences and route tags. Signal community tag could be differentiated in four regions, Mainland China, APAC, AMER and EMEA.
- Carrier grade network security: Expertly designed mechanisms with carrier grade security operation team, timely and effective defense against 10G level DDos flow attacks. We also offer a variety of protection strategies, including Black-Hole and Flow-Spec to ensure client circuit availability.
- Flexible billing options: fixed monthly charges and usage based billing based on the 95th percentile model.



### China Telecom Global Limited

30/F, 38/F, Dah Sing Financial Center,  
108 Gloucester Road, Wanchai, Hong Kong

Tel: + (852) 3100 0000  
Fax: + (852) 2877 0988

E-mail: [marketing@chinatelecomglobal.com](mailto:marketing@chinatelecomglobal.com)  
Website: [www.chinatelecomglobal.com](http://www.chinatelecomglobal.com)

China Telecom Global Limited reserves the right to change or terminate the above at any time.  
China Telecom Global Limited reserves final authority to interpret the above.



GLOBAL  
CARRIER  
SERVICE

Providing you with the world's most comprehensive Chinese Internet content



Global  
Internet  
Service



# China Telecom Global Internet Services Overview

As the world's largest fixed-line and broadband service provider, you can rely on China Telecom as your best partner for Global Internet Service.



As the world's largest fixed-line and broadband service provider, you can rely on China Telecom as your best partner for Global Internet Service. Equipped with a powerful Internet network, ChinaNet (AS4134) has the largest number of broadband subscribers and provides the richest and best access channel into the China Internet market.

In addition to our world leading MPLS/ IP network, China Telecom's CN2 Network (AS4809) also works in conjunction to further optimize user experience and provide highly efficient global transit services for our carrier partners.

## Our Strength and Capability

### ChinaNet ChinaNet hosts the richest Chinese content in cyberspace

ChinaNet hosts more than 2.3 million websites, manages 64.7% of all Chinese Internet domain names, and owns more than 70% of all Chinese Internet content resources. Based on this robust network, China Telecom shares the benefits of this sharply increasing Internet market with our global carrier partners. As a leading content and application service provider, ChinaNet provides a variety of Internet resources including web portals, video, real-time chatting tools, online trading, games, search engines and information services.



**NO.1 on customer basis and NO.10 (NO.2 within Asia) on wholesale basis.**

Customer Base: Retail (Top 25)	Customer Base: Wholesale (Top 25)
1 China Telecom AS4134	6 AT&T WorldNet Services AS 7018
2 Level 3 Communication, LLC AS 3356	7 Tata Communications AS 6453
3 Comcast Cable Communications Inc. AS 7922	8 TeliaNet Global Network AS 1299
4 AT&T WorldNet Services AS 7018	9 Cogent Communications AS 174
5 Global Crossing AS 3549	10 China Telecom AS 4134

From: [http://www.renesys.com/products\\_services/market\\_intel/index.shtml](http://www.renesys.com/products_services/market_intel/index.shtml)



### CN2 Network

With the expansion of the Internet, an ever-increasing number of developing markets are joining the cyber community, which means more and more people are benefiting from the information technology. In order to meet this increasingly high demand, China Telecom has invested a lot of effort into developing the CN2 network. With this new network, our clients not only benefit from the resources in ChinaNet, but they also receive the content and resources from all ISPs, together with our industry-leading service guarantee. Benefiting from our extensive CN2 network coverage and rich resources, your data can be transported freely in EMEA, AMER and APAC.



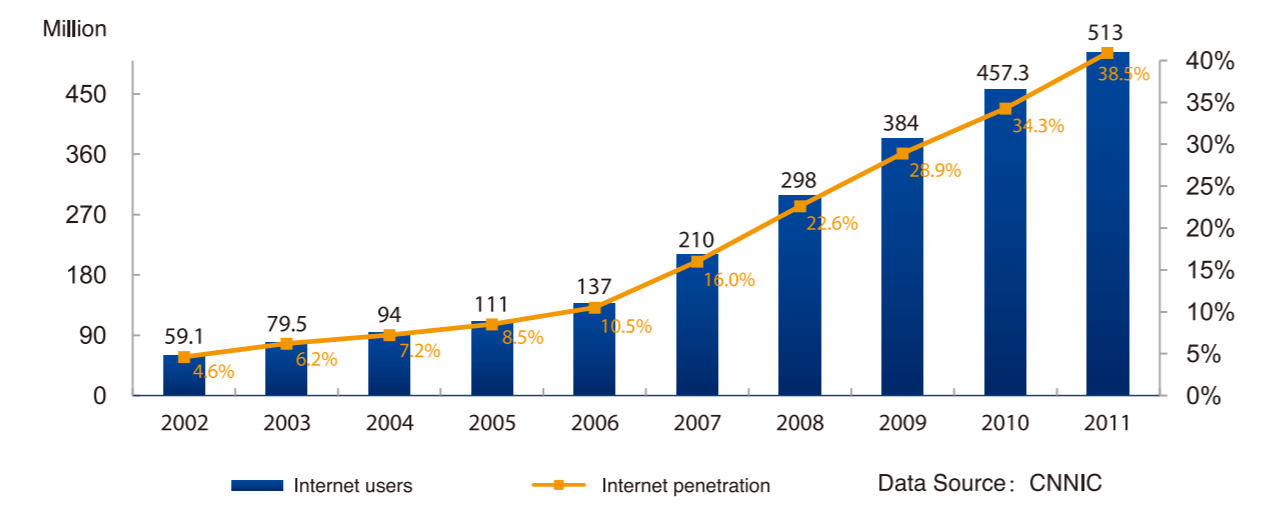
### China Telecom's Global IP Network:



### ChinaNet Owns the Largest Broadband Subscribers in the World

ChinaNet has more than 78.03 million cable broadband subscribers, accounting for 61% of the broadband access market in mainland China. Among our users, 98% boast access speed of over 2M. With the rapid development of the China mobile market, we have developed over 38.7 million 3G Internet user groups.

Among ChinaNet users, a vast majority are Chinese Internet companies, state-owned enterprises, financial services and high-tech enterprises; and the demand of content and applications are still growing exponentially. By accessing ChinaNet, global carrier partners can easily interact with 513 million Chinese Internet users groups (including broadband and mobile Internet).



### CN2's Network Unique Advantage:



**Worldwide coverage**  
More than 300 node cities worldwide; including every cities in China and major cities worldwide.



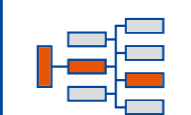
**High stability**  
Highly redundant and reliable grid network, with carrier-grade routers.



**Light loading design**  
Traffic utilization rate accepts no more than 50% good of the transmission channel capacity in the whole network. If traffic reaches its maximum limit, the corresponding upgrade of the circuit will be arranged.



**IPv6 support**  
Support for IPv6 and IPv4 options with dual-stack mechanism.



**Traffic identification**  
By identifying the route source and destination IP, traffic can be easily distinguished between China, APAC, AMER and EMEA regions, so that customer traffic can be measured more accurately.



**Redundant transmission structure**  
China Telecom's land and submarine cables resources ensure that customer traffic is highly protected.